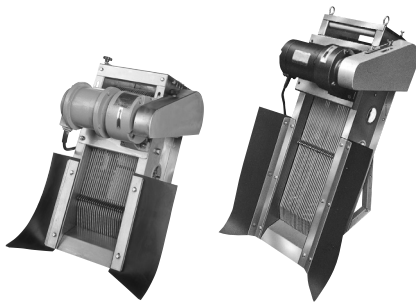


Bar Screen (Front Screen):
KE / KS / KW
Bar Spacing:
1.0 - 50mm
Motor Output:
0.09 · 0.1 kW


The KE/KS/KW-series is a front screen type automatic bar screen designed for screening wastewater. The wetted metal parts are made of 304 stainless steel. Two or more rakes travel behind the screen bars located at the front side of the unit. Since every rake tooth moves between the screen bars, it can remove solid matters even though they lodge between the screen bars. In addition, the use of a small output motor enables to save the electricity. The bar screen is suitable for use in a waterway with varying water levels.

The KS-series screens are equipped with an eccentric roll mechanism that prevents retraction and clogging of the screen bar front edge caused by residue. The KW-series screens incorporate a safety device that can stop the gear motor immediately in the event of abnormal operation.

Selection Table

Model	Motor Output kW	Phase	Bar Spacing mm				Fine Screen (Bar Spacing: 1.0 - 5.0mm)			
			Capacity m ³ /h				Overall Height mm	Width of Waterway mm	Installation Angle	Dry Weight kg
			1.0mm	2.0mm	2.5mm	5.0mm				
KE-200S	0.1	3-phase	—	26	31	41	510	300 - 400	60°	32
KE-200M	0.1	3-phase	—	36	46	58	685	300 - 400	60°	38
KE-200L	0.1	3-phase	—	49	62	78	865	300 - 400	60°	42
KS-200Z	0.1	3-phase	16	26	31	41	520	330 - 400	60°	33
KS-200Y	0.1	3-phase	29	47	56	74	760	400 - 500	60°	49
KS-300Y	0.1	3-phase	43	70	84	110	760	500 - 600	60°	54
KS-200S	0.1	3-phase	17	28	31	47	800	330 - 400	45°	47
KS-200M	0.1	3-phase	25	41	48	70	920	330 - 400	45°	52
KS-200L	0.1	3-phase	32	55	63	93	1050	330 - 400	45°	62
KW-4027	0.09	3-phase	17	29	34	47	659	up to 400	60°	23.5
KW-4038	0.09	3-phase	27	45	52	73	842	up to 400	60°	27.8
KW-4049	0.09	3-phase	39	66	76	105	1057	up to 400	60°	31.8
KW-5027	0.09	3-phase	26	45	52	73	659	400 - 500	60°	27.0
KW-5038	0.09	3-phase	41	69	81	113	842	400 - 500	60°	32.1
KW-5049	0.09	3-phase	60	101	117	164	1057	400 - 500	60°	37.1
KW-6027	0.09	3-phase	36	61	70	98	659	500 - 600	60°	30.5
KW-6038	0.09	3-phase	56	95	109	153	842	500 - 600	60°	36.5
KW-6049	0.09	3-phase	81	138	158	223	1054	500 - 600	60°	42.3

Model	Motor Output kW	Phase	Bar Spacing mm				Coarse Screen (Bar Spacing: 20 - 50mm)			
			Capacity m ³ /h				Overall Height mm	Width of Waterway mm	Installation Angle	Dry Weight kg
			20mm	30mm	40mm	50mm				
KS-200S	0.1	3-phase	70	75	80	85	800	330 - 400	45°	47
KS-200M	0.1	3-phase	104	111	119	123	920	330 - 400	45°	52
KS-200L	0.1	3-phase	137	147	157	165	1050	330 - 400	45°	62

- Powered by three-phase totally-enclosed geared motor.
- Capacity is given as the maximum amount of clean water.
- Consult your dealer if the screen is to be installed in a waterway of a width exceeding that listed on the table.
- When ordering, specify the desired bar spacing together with the model name.

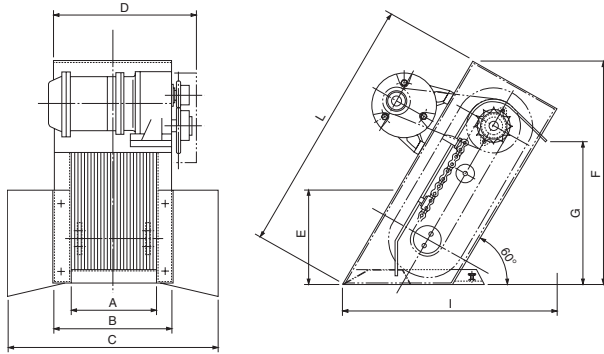
DIMENSIONS

Model

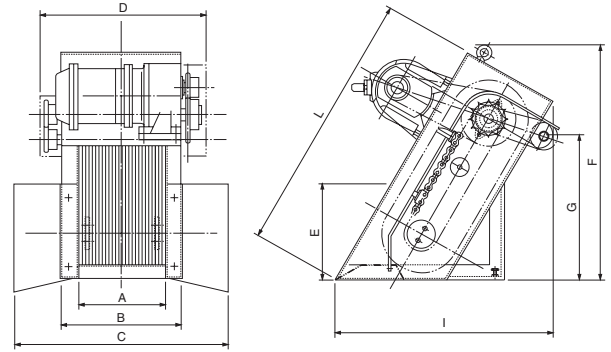
KE-200S to KW-6049

KE / KS / KW-series

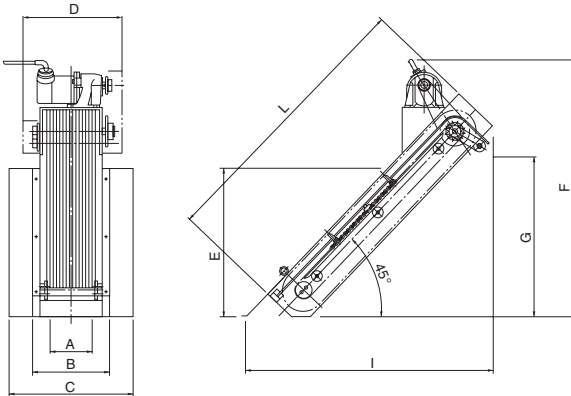
KE-200S
KE-200M
KE-200L



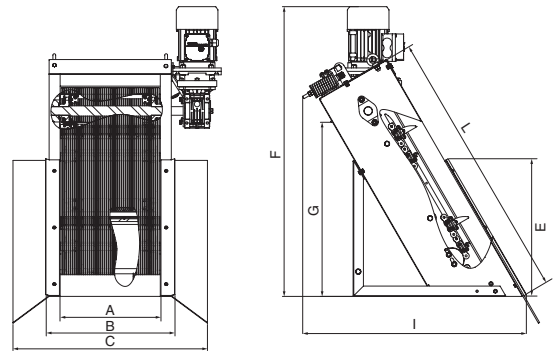
KS-200Z
KS-200Y
KS-300Y



KS-200S
KS-200M
KS-200L



KW-4027 KW-5027 KW-6027
KW-4038 KW-5038 KW-6038
KW-4049 KW-5049 KW-6049



Unit: mm

Model	Effective Width A	Width of Frame B	Overall Width C	Max. Width of Upper Part D	Max. Water Level E	Overall Height F	Discharge Level of Solids G	Space I	Overall Length of Frame L
KE-200S	191	254	460	330	210	510	300	480	577
KE-200M	191	254	460	330	390	685	500	580	787
KE-200L	191	254	460	330	510	865	680	690	992
KS-200Z	191	254	460	350	210	520	280	490	577
KS-200Y	191	254	460	350	360	760	500	640	850
KS-300Y	282	345	550	500	360	760	500	640	850
KS-200S	180(187)	290(297)	500	400(410)	270	800	400	800	800
KS-200M	180(187)	290(297)	500	400(410)	370	920	540	920	971
KS-200L	180(187)	290(297)	500	400(410)	470	1050	650	1040	1140
KW-4027	191	276	465	410	279	659	323	544	584
KW-4038	191	276	465	410	395	842	506	650	795
KW-4049	191	276	465	410	511	1057	722	774	1044
KW-5027	291	376	565	510	279	659	323	544	584
KW-5038	291	376	565	510	395	842	506	650	795
KW-5049	291	376	565	510	511	1057	722	774	1044
KW-6027	391	476	665	610	279	659	323	544	584
KW-6038	391	476	665	610	395	842	506	650	795
KW-6049	391	476	665	610	511	1057	722	774	1044

*Figure in () are for the screens of 5mm or coarser bar spacing.