

Series:

KRS

Discharge Bore:

80 - 150mm

Motor Output / Pole:

2.2 - 11kW / 4-pole

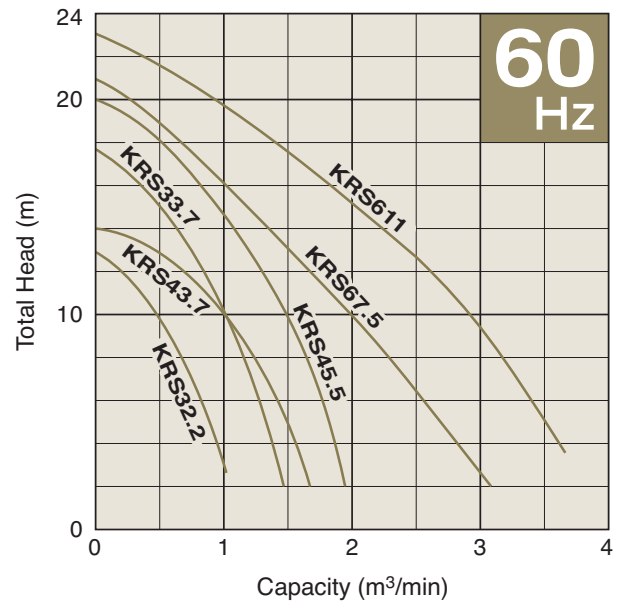
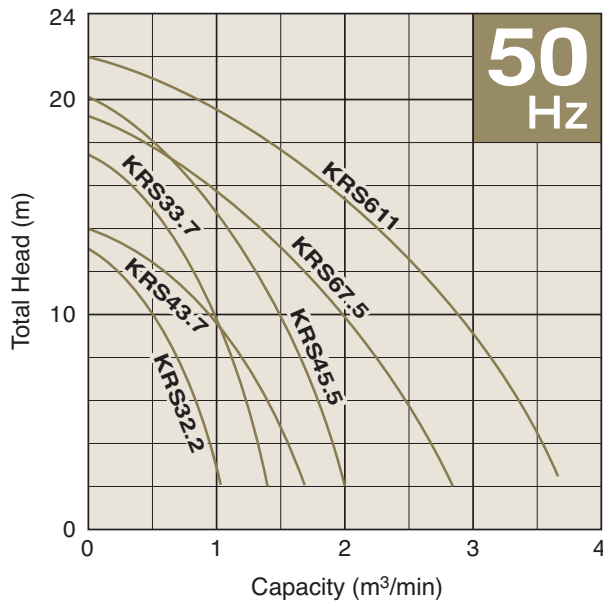


The KRS-series is a submersible three-phase cast iron high volume heavy-duty drainage pump driven by a 4-pole motor. The cast iron body, combined with the low speed motor, presents extra durability for use in the most demanding conditions. The top discharge, side flow design assures efficient motor cooling even when it operates with its motor exposed to air.

Selection Table

Model	Discharge Bore mm	Motor Output kW	Phase	Starting Method	Pole	Dry Weight 50/60Hz kg
KRS32.2	80	2.2	3-phase	Direct on Line	4	72
KRS33.7	80	3.7	3-phase	Direct on Line	4	91/89
KRS43.7	100	3.7	3-phase	Direct on Line	4	88
KRS45.5	100	5.5	3-phase	Direct on Line	4	100/97
KRS67.5	150	7.5	3-phase	Direct on Line	4	141
KRS611	150	11	3-phase	Direct on Line	4	163/155

Performance Curves



SPECIFICATIONS	Model	KRS32.2	
		KRS-series 2.2kW, 3-phase	

<p>Type of Pump Submersible high volume drainage pump for construction and foundation works, floodwater drainage, etc.</p> <p>Type of Fluid Stormwater, groundwater, wash water, and sand-carrying water</p> <p>Temperature: 0 to 40°C</p> <p>Discharge Bore & Connection 80mm, Hose Coupling</p> <p>Motor Output 2.2kW</p> <p>Power Supply Three-phase</p> <p>Starting Method Direct on Line (Star-Delta available on special request)</p> <p>Motor Continuous-duty rated, dry-type induction motor</p> <p>Insulation Class: F Degree of Protection: IP68</p> <p>No. of Poles & Speed (Synchronous Speed) 4-pole, 1500/1800min⁻¹ (50/60Hz)</p> <p>Power Supply Voltages & Rated Currents</p> <table border="0"> <tr> <td>50Hz</td> <td>60Hz</td> </tr> <tr> <td>380V – 5.7A</td> <td>220V – 9.7A</td> </tr> <tr> <td>400V – 5.5A</td> <td>380V – 5.5A</td> </tr> <tr> <td>415V – 5.5A</td> <td>440V – 4.9A</td> </tr> </table> <p>Power Cable Sheath: Chloroprene rubber Standard Length: 8m 200 to 600V supply: 1 x 4 x 1.5mm², O.D. 11.3mm (60245 IEC 66) or 1 x 4 x 2.0mm², O.D. 14.4mm</p> <p>Dry Weight (excluding cable) 72kg</p>	50Hz	60Hz	380V – 5.7A	220V – 9.7A	400V – 5.5A	380V – 5.5A	415V – 5.5A	440V – 4.9A	<p>Impeller Semi-open impeller made of ductile cast iron</p> <p>Solids Passage 50Hz – ϕ12mm 60Hz – ϕ12mm</p> <p>Cable Entry with Anti-Wicking Block Watertight cable entry with strain-relief device. The anti-wicking block prevents water incursion due to capillary action should the power cable be damaged or the end submerged.</p> <p>Bearing Permanently lubricated, deep-groove, double-shielded C3 ball bearings</p> <p>Shaft 420 stainless steel</p> <p>Shaft Seal (Mechanical Seal) Furnished with a double-face mechanical seal located in oil chamber. Both upper and lower seal faces always run in a clean environment.</p> <p>Upper Seal Face: SiC + SiC Lower Seal Face: SiC + SiC</p> <p>Oil Seal (Lip Seal) Used as a “Dust Seal”; it protects the mechanical seal from abrasive particles.</p> <p>OIL LIFTER Equipped in oil chamber. It forcibly supplies lubricating oil to the mechanical seal and continues to supply the oil to the upper seal faces even if lubricant falls below the rated volume.</p> <p>Type of Lubricating Oil & Volume Turbine Oil (ISO VG32), 1200ml</p> <p>Motor Protection Device A circle thermal protector built in the motor housing. Directly cuts the motor circuit if excessive heat builds up or an overcurrent condition occurs in the motor.</p>
50Hz	60Hz								
380V – 5.7A	220V – 9.7A								
400V – 5.5A	380V – 5.5A								
415V – 5.5A	440V – 4.9A								

<p>Optional Accessory</p> <p>Male Threaded Coupling</p>	<p>Special Specifications</p> <p>High Temperature Liquids Version (60-80°C)</p>
---	---

SPECIFICATIONS	Model	KRS33.7	
		KRS-series 3.7kW, 3-phase	

<p>Type of Pump Submersible high volume drainage pump for construction and foundation works, floodwater drainage, etc.</p> <p>Type of Fluid Stormwater, groundwater, wash water, and sand-carrying water</p> <p>Temperature: 0 to 40°C</p> <p>Discharge Bore & Connection 80mm, Hose Coupling</p> <p>Motor Output 3.7kW</p> <p>Power Supply Three-phase</p> <p>Starting Method Direct on Line (Star-Delta available on special request)</p> <p>Motor Continuous-duty rated, dry-type induction motor</p> <p>Insulation Class: F Degree of Protection: IP68</p> <p>No. of Poles & Speed (Synchronous Speed) 4-pole, 1500/1800min⁻¹ (50/60Hz)</p> <p>Power Supply Voltages & Rated Currents</p> <table border="0"> <tr> <td>50Hz</td> <td>60Hz</td> </tr> <tr> <td>380V – 8.8A</td> <td>220V – 15.4A</td> </tr> <tr> <td>400V – 8.6A</td> <td>380V – 8.7A</td> </tr> <tr> <td>415V – 8.4A</td> <td>440V – 7.6A</td> </tr> </table> <p>Power Cable Sheath: Chloroprene rubber Standard Length: 8m 380 to 600V supply: 1 x 4 x 1.5mm², O.D. 11.3mm (60245 IEC 66) or 1 x 4 x 2.0mm², O.D. 14.4mm 200 to 240V supply: 1 x 4 x 2.5mm², O.D. 12.4mm (60245 IEC 66) or 1 x 4 x 2.0mm², O.D. 14.4mm</p> <p>Dry Weight (excluding cable) 50Hz – 91kg 60Hz – 89kg</p>	50Hz	60Hz	380V – 8.8A	220V – 15.4A	400V – 8.6A	380V – 8.7A	415V – 8.4A	440V – 7.6A	<p>Impeller Semi-open impeller made of ductile cast iron</p> <p>Solids Passage 50Hz – ϕ12mm 60Hz – ϕ12mm</p> <p>Cable Entry with Anti-Wicking Block Watertight cable entry with strain-relief device. The anti-wicking block prevents water incursion due to capillary action should the power cable be damaged or the end submerged.</p> <p>Bearing Permanently lubricated, deep-groove, double-shielded C3 ball bearings</p> <p>Shaft 420 stainless steel</p> <p>Shaft Seal (Mechanical Seal) Furnished with a double-face mechanical seal located in oil chamber. Both upper and lower seal faces always run in a clean environment.</p> <p>Upper Seal Face: SiC + SiC Lower Seal Face: SiC + SiC</p> <p>Oil Seal (Lip Seal) Used as a “Dust Seal”; it protects the mechanical seal from abrasive particles.</p> <p>OIL LIFTER Equipped in oil chamber. It forcibly supplies lubricating oil to the mechanical seal and continues to supply the oil to the upper seal faces even if lubricant falls below the rated volume.</p> <p>Type of Lubricating Oil & Volume Turbine Oil (ISO VG32), 1850ml</p> <p>Motor Protection Device A circle thermal protector built in the motor housing. Directly cuts the motor circuit if excessive heat builds up or an overcurrent condition occurs in the motor.</p>
50Hz	60Hz								
380V – 8.8A	220V – 15.4A								
400V – 8.6A	380V – 8.7A								
415V – 8.4A	440V – 7.6A								

<p>Optional Accessory</p> <p>Male Threaded Coupling</p>	<p>Special Specifications</p> <p>High Temperature Liquids Version (60-80°C)</p>
---	---

SPECIFICATIONS	Model	KRS43.7							
		KRS-series 3.7kW, 3-phase							
<p>Type of Pump Submersible high volume drainage pump for construction and foundation works, floodwater drainage, etc.</p> <p>Type of Fluid Stormwater, groundwater, wash water, and sand-carrying water</p> <p>Temperature: 0 to 40°C</p> <p>Discharge Bore & Connection 100mm, Hose Coupling</p> <p>Motor Output 3.7kW</p> <p>Power Supply Three-phase</p> <p>Starting Method Direct on Line (Star-Delta available on special request)</p> <p>Motor Continuous-duty rated, dry-type induction motor</p> <p>Insulation Class: F Degree of Protection: IP68</p> <p>No. of Poles & Speed (Synchronous Speed) 4-pole, 1500/1800min⁻¹ (50/60Hz)</p> <p>Power Supply Voltages & Rated Currents</p> <table border="0"> <tr> <td>50Hz</td> <td>60Hz</td> </tr> <tr> <td>380V – 8.8A</td> <td>220V – 15.4A</td> </tr> <tr> <td>400V – 8.6A</td> <td>380V – 8.7A</td> </tr> <tr> <td>415V – 8.4A</td> <td>440V – 7.6A</td> </tr> </table> <p>Power Cable Sheath: Chloroprene rubber Standard Length: 8m 380 to 600V supply: 1 x 4 x 1.5mm², O.D. 11.3mm (60245 IEC 66) or 1 x 4 x 2.0mm², O.D. 14.4mm 200 to 240V supply: 1 x 4 x 2.5mm², O.D. 12.4mm (60245 IEC 66) or 1 x 4 x 2.0mm², O.D. 14.4mm</p> <p>Dry Weight (excluding cable) 88kg</p>	50Hz	60Hz	380V – 8.8A	220V – 15.4A	400V – 8.6A	380V – 8.7A	415V – 8.4A	440V – 7.6A	<p>Impeller Semi-open impeller made of ductile cast iron</p> <p>Solids Passage 50Hz – ϕ12mm 60Hz – ϕ12mm</p> <p>Cable Entry with Anti-Wicking Block Watertight cable entry with strain-relief device. The anti-wicking block prevents water incursion due to capillary action should the power cable be damaged or the end submerged.</p> <p>Bearing Permanently lubricated, deep-groove, double-shielded C3 ball bearings</p> <p>Shaft 420 stainless steel</p> <p>Shaft Seal (Mechanical Seal) Furnished with a double-face mechanical seal located in oil chamber. Both upper and lower seal faces always run in a clean environment.</p> <p>Upper Seal Face: SiC + SiC Lower Seal Face: SiC + SiC</p> <p>Oil Seal (Lip Seal) Used as a “Dust Seal”; it protects the mechanical seal from abrasive particles.</p> <p>OIL LIFTER Equipped in oil chamber. It forcibly supplies lubricating oil to the mechanical seal and continues to supply the oil to the upper seal faces even if lubricant falls below the rated volume.</p> <p>Type of Lubricating Oil & Volume Turbine Oil (ISO VG32), 1850ml</p> <p>Motor Protection Device A circle thermal protector built in the motor housing. Directly cuts the motor circuit if excessive heat builds up or an overcurrent condition occurs in the motor.</p>
50Hz	60Hz								
380V – 8.8A	220V – 15.4A								
400V – 8.6A	380V – 8.7A								
415V – 8.4A	440V – 7.6A								
<p>Optional Accessory Male Threaded Coupling</p>	<p>Special Specifications High Temperature Liquids Version (60-80°C)</p>								
TSURUMI MANUFACTURING CO., LTD.									

SPECIFICATIONS	Model	KRS45.5							
		KRS-series 5.5kW, 3-phase							
<p>Type of Pump Submersible high volume drainage pump for construction and foundation works, floodwater drainage, etc.</p> <p>Type of Fluid Stormwater, groundwater, wash water, and sand-carrying water</p> <p>Temperature: 0 to 40°C</p> <p>Discharge Bore & Connection 100mm, Hose Coupling</p> <p>Motor Output 5.5kW</p> <p>Power Supply Three-phase</p> <p>Starting Method Direct on Line (Star-Delta available on special request)</p> <p>Motor Continuous-duty rated, dry-type induction motor</p> <p>Insulation Class: F Degree of Protection: IP68</p> <p>No. of Poles & Speed (Synchronous Speed) 4-pole, 1500/1800min⁻¹ (50/60Hz)</p> <p>Power Supply Voltages & Rated Currents</p> <table border="0"> <tr> <td>50Hz</td> <td>60Hz</td> </tr> <tr> <td>380V – 12.5A</td> <td>220V – 21.0A</td> </tr> <tr> <td>400V – 12.1A</td> <td>380V – 11.8A</td> </tr> <tr> <td>415V – 11.7A</td> <td>440V – 10.5A</td> </tr> </table> <p>Power Cable Sheath: Chloroprene rubber Standard Length: 8m 380 to 600V supply: 1 x 4 x 2.5mm², O.D. 12.4mm (60245 IEC 66) or 1 x 4 x 3.5mm², O.D. 16.8mm 200 to 240V supply: 1 x 4 x 4mm², O.D. 13.8mm (60245 IEC 66) or 1 x 4 x 3.5mm², O.D. 16.8mm</p> <p>Dry Weight (excluding cable) 50Hz – 100kg 60Hz – 97kg</p>	50Hz	60Hz	380V – 12.5A	220V – 21.0A	400V – 12.1A	380V – 11.8A	415V – 11.7A	440V – 10.5A	<p>Impeller Semi-open impeller made of ductile cast iron</p> <p>Solids Passage 50Hz – ϕ12mm 60Hz – ϕ12mm</p> <p>Cable Entry with Anti-Wicking Block Watertight cable entry with strain-relief device. The anti-wicking block prevents water incursion due to capillary action should the power cable be damaged or the end submerged.</p> <p>Bearing Permanently lubricated, deep-groove, double-shielded C3 ball bearings</p> <p>Shaft 420 stainless steel</p> <p>Shaft Seal (Mechanical Seal) Furnished with a double-face mechanical seal located in oil chamber. Both upper and lower seal faces always run in a clean environment.</p> <p>Upper Seal Face: SiC + SiC Lower Seal Face: SiC + SiC</p> <p>Oil Seal (Lip Seal) Used as a “Dust Seal”; it protects the mechanical seal from abrasive particles.</p> <p>OIL LIFTER Equipped in oil chamber. It forcibly supplies lubricating oil to the mechanical seal and continues to supply the oil to the upper seal faces even if lubricant falls below the rated volume.</p> <p>Type of Lubricating Oil & Volume Turbine Oil (ISO VG32), 1850ml</p> <p>Motor Protection Device A circle thermal protector built in the motor housing. Directly cuts the motor circuit if excessive heat builds up or an overcurrent condition occurs in the motor.</p>
50Hz	60Hz								
380V – 12.5A	220V – 21.0A								
400V – 12.1A	380V – 11.8A								
415V – 11.7A	440V – 10.5A								
<p>Optional Accessory Male Threaded Coupling</p>	<p>Special Specifications High Temperature Liquids Version (60-80°C)</p>								
TSURUMI MANUFACTURING CO., LTD.									

SPECIFICATIONS	Model	KRS67.5									
		KRS-series 7.5kW, 3-phase									
<p>Type of Pump Submersible high volume drainage pump for construction and foundation works, floodwater drainage, etc.</p> <p>Type of Fluid Stormwater, groundwater, wash water, and sand-carrying water</p> <p>Temperature: 0 to 40°C</p> <p>Discharge Bore & Connection 150mm, Hose Coupling</p> <p>Motor Output 7.5kW</p> <p>Power Supply Three-phase</p> <p>Starting Method Direct on Line (Star-Delta available on special request)</p> <p>Motor Continuous-duty rated, dry-type induction motor</p> <p>Insulation Class: F Degree of Protection: IP68</p> <p>No. of Poles & Speed (Synchronous Speed) 4-pole, 1500/1800min⁻¹ (50/60Hz)</p> <p>Power Supply Voltages & Rated Currents</p> <table border="0"> <tr> <td>50Hz</td> <td>60Hz</td> </tr> <tr> <td>380V – 15.8A</td> <td>220V – 28.0A</td> </tr> <tr> <td>400V – 15.0A</td> <td>380V – 15.0A</td> </tr> <tr> <td>415V – 15.0A</td> <td>440V – 13.5A</td> </tr> </table> <p>Power Cable Sheath: Chloroprene rubber Standard Length: 8m 200 to 600V supply: 1 x 4 x 4mm², O.D. 13.8mm (60245 IEC 66) or 1 x 4 x 5.5mm², O.D. 19.8mm</p> <p>Dry Weight (excluding cable) 141kg</p>	50Hz	60Hz	380V – 15.8A	220V – 28.0A	400V – 15.0A	380V – 15.0A	415V – 15.0A	440V – 13.5A	<p>Impeller Semi-open impeller made of ductile cast iron</p> <p>Solids Passage 50Hz – ϕ20mm 60Hz – ϕ20mm</p> <p>Cable Entry with Anti-Wicking Block Watertight cable entry with strain-relief device. The anti-wicking block prevents water incursion due to capillary action should the power cable be damaged or the end submerged.</p> <p>Bearing Permanently lubricated, deep-groove, double-shielded C3 ball bearings</p> <p>Shaft 420 stainless steel</p> <p>Shaft Seal (Mechanical Seal) Furnished with a double-face mechanical seal located in oil chamber. Both upper and lower seal faces always run in a clean environment.</p> <p>Upper Seal Face: SiC + SiC Lower Seal Face: SiC + SiC</p> <p>Oil Seal (Lip Seal) Used as a “Dust Seal”; it protects the mechanical seal from abrasive particles.</p> <p>OIL LIFTER Equipped in oil chamber. It forcibly supplies lubricating oil to the mechanical seal and continues to supply the oil to the upper seal faces even if lubricant falls below the rated volume.</p> <p>Type of Lubricating Oil & Volume Turbine Oil (ISO VG32), 2300ml</p> <p>Motor Protection Device A circle thermal protector built in the motor housing. Directly cuts the motor circuit if excessive heat builds up or an overcurrent condition occurs in the motor.</p>		
50Hz	60Hz										
380V – 15.8A	220V – 28.0A										
400V – 15.0A	380V – 15.0A										
415V – 15.0A	440V – 13.5A										
<p>Optional Accessory</p> <p>Male Threaded Coupling</p>	<p>Special Specifications</p> <p>High Temperature Liquids Version (60-80°C)</p>										
TSURUMI MANUFACTURING CO., LTD.											

SPECIFICATIONS	Model	KRS611	
		KRS-series 11kW, 3-phase	

<p>Type of Pump Submersible high volume drainage pump for construction and foundation works, floodwater drainage, etc.</p> <p>Type of Fluid Stormwater, groundwater, wash water, and sand-carrying water</p> <p>Temperature: 0 to 40°C</p> <p>Discharge Bore & Connection 150mm, Hose Coupling</p> <p>Motor Output 11kW</p> <p>Power Supply Three-phase</p> <p>Starting Method Direct on Line (Star-Delta available on special request)</p> <p>Motor Continuous-duty rated, dry-type induction motor</p> <p>Insulation Class: F Degree of Protection: IP68</p> <p>No. of Poles & Speed (Synchronous Speed) 4-pole, 1500/1800min⁻¹ (50/60Hz)</p> <p>Power Supply Voltages & Rated Currents</p> <table border="0"> <tr> <td>50Hz</td> <td>60Hz</td> </tr> <tr> <td>380V – 23.0A</td> <td>220V – 40.5A</td> </tr> <tr> <td>400V – 22.5A</td> <td>380V – 22.5A</td> </tr> <tr> <td>415V – 22.5A</td> <td>440V – 20.0A</td> </tr> </table> <p>Power Cable Sheath: Chloroprene rubber Standard Length: 8m 380 to 600V supply: 1 x 4 x 4mm², O.D. 13.8mm (60245 IEC 66) or 1 x 4 x 5.5mm², O.D. 19.8mm 200 to 240V supply: 1 x 4 x 6mm², O.D. 19.0mm (60245 IEC 66) or 1 x 4 x 8mm², O.D. 21.7mm</p> <p>Dry Weight (excluding cable) 50Hz – 163kg 60Hz – 155kg</p>	50Hz	60Hz	380V – 23.0A	220V – 40.5A	400V – 22.5A	380V – 22.5A	415V – 22.5A	440V – 20.0A	<p>Impeller Semi-open impeller made of ductile cast iron</p> <p>Solids Passage 50Hz – ϕ20mm 60Hz – ϕ20mm</p> <p>Cable Entry with Anti-Wicking Block Watertight cable entry with strain-relief device. The anti-wicking block prevents water incursion due to capillary action should the power cable be damaged or the end submerged.</p> <p>Bearing Permanently lubricated, deep-groove, double-shielded C3 ball bearings</p> <p>Shaft 420 stainless steel</p> <p>Shaft Seal (Mechanical Seal) Furnished with a double-face mechanical seal located in oil chamber. Both upper and lower seal faces always run in a clean environment.</p> <p>Upper Seal Face: SiC + SiC Lower Seal Face: SiC + SiC</p> <p>Oil Seal (Lip Seal) Used as a “Dust Seal”; it protects the mechanical seal from abrasive particles.</p> <p>OIL LIFTER Equipped in oil chamber. It forcibly supplies lubricating oil to the mechanical seal and continues to supply the oil to the upper seal faces even if lubricant falls below the rated volume.</p> <p>Type of Lubricating Oil & Volume Turbine Oil (ISO VG32), 2300ml</p> <p>Motor Protection Device A circle thermal protector built in the motor housing. Directly cuts the motor circuit if excessive heat builds up or an overcurrent condition occurs in the motor.</p>
50Hz	60Hz								
380V – 23.0A	220V – 40.5A								
400V – 22.5A	380V – 22.5A								
415V – 22.5A	440V – 20.0A								

<p>Optional Accessory</p> <p>Male Threaded Coupling</p>	<p>Special Specifications</p> <p>High Temperature Liquids Version (60-80°C)</p>
---	---

Series:

KRS

Discharge Bore:

200-250mm

Motor Output / Pole:

11 - 22kW / 4-pole



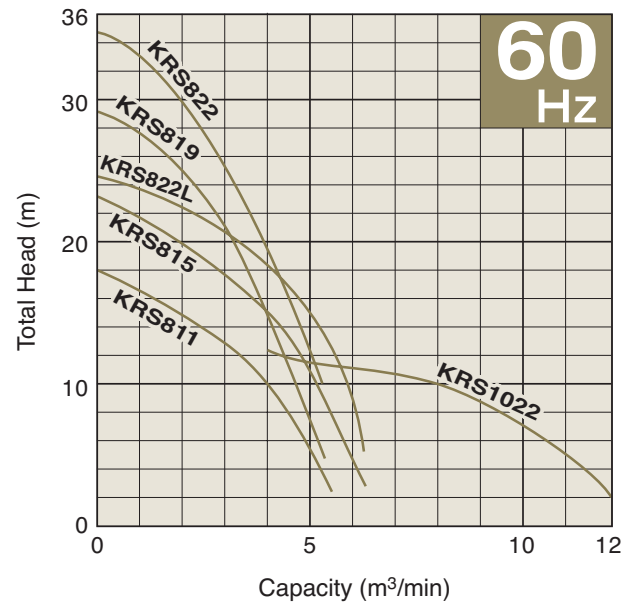
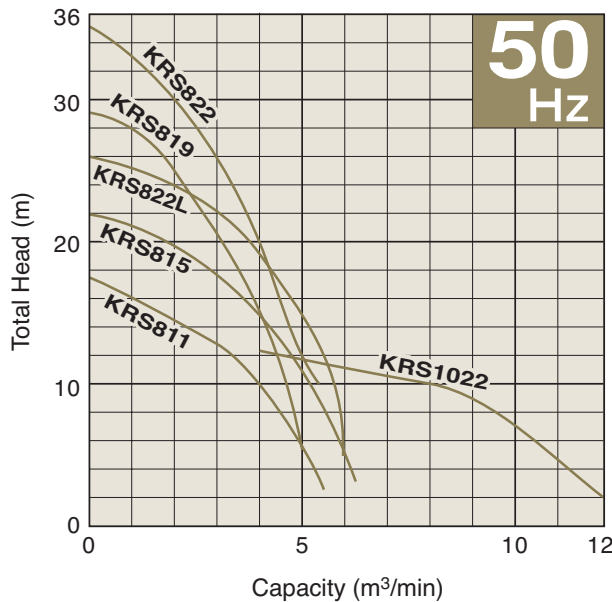
The KRS-series is a submersible three-phase cast iron high volume heavy-duty drainage pump driven by a 4-pole motor. The cast iron body, combined with the low speed motor, presents extra durability for use in the most demanding conditions. The top discharge, side flow design assures efficient motor cooling even when it operates with its motor exposed to air.*

* Model KRS1022 is a top discharge, flow-thru design. It provides maximum motor cooling efficiency allowing continuous operation at low water levels and extended dry-run capability.

Selection Table

Model	Discharge Bore mm	Motor Output kW	Phase	Starting Method	Pole	Dry Weight kg
KRS811	200	11	3-phase	Direct on Line	4	179
KRS815	200	15	3-phase	Direct on Line	4	240
KRS819	200	18.5	3-phase	Direct on Line	4	360
KRS822	200	22	3-phase	Direct on Line	4	380
KRS822L	200	22	3-phase	Direct on Line	4	380
KRS1022	250	22	3-phase	Direct on Line	4	390

Performance Curves



SPECIFICATIONS	Model	KRS811	
		KRS-series	
		11kW, 3-phase	

<p>Type of Pump Submersible high volume drainage pump for construction and foundation works, floodwater drainage, etc.</p> <p>Type of Fluid Stormwater, groundwater, wash water, and sand-carrying water</p> <p>Temperature: 0 to 40°C</p> <p>Discharge Bore & Connection 200mm, Hose Coupling</p> <p>Motor Output 11kW</p> <p>Power Supply Three-phase</p> <p>Starting Method Direct on Line (Star-Delta available on special request)</p> <p>Motor Continuous-duty rated, dry-type induction motor</p> <p>Insulation Class: F Degree of Protection: IP68</p> <p>No. of Poles & Speed (Synchronous Speed) 4-pole, 1500/1800min⁻¹ (50/60Hz)</p> <p>Power Supply Voltages & Rated Currents</p> <table border="0"> <tr> <td>50Hz</td> <td>60Hz</td> </tr> <tr> <td>380V – 23.0A</td> <td>220V – 40.5A</td> </tr> <tr> <td>400V – 22.5A</td> <td>380V – 22.5A</td> </tr> <tr> <td>415V – 22.5A</td> <td>440V – 20.0A</td> </tr> </table> <p>Power Cable Sheath: Chloroprene rubber Standard Length: 8m 380 to 600V supply: 1 x 4 x 4mm², O.D. 13.8mm (60245 IEC 66) or 1 x 4 x 5.5mm², O.D. 19.8mm 200 to 240V supply: 1 x 4 x 6mm², O.D. 19.0mm (60245 IEC 66) or 1 x 4 x 8mm², O.D. 21.7mm</p> <p>Dry Weight (excluding cable) 179kg</p>	50Hz	60Hz	380V – 23.0A	220V – 40.5A	400V – 22.5A	380V – 22.5A	415V – 22.5A	440V – 20.0A	<p>Impeller Semi-open impeller made of ductile cast iron</p> <p>Solids Passage 50Hz – ϕ30mm 60Hz – ϕ30mm</p> <p>Cable Entry with Anti-Wicking Block Watertight cable entry with strain-relief device. The anti-wicking block prevents water incursion due to capillary action should the power cable be damaged or the end submerged.</p> <p>Bearing Permanently lubricated, deep-groove, double-shielded C3 ball bearings</p> <p>Shaft 420 stainless steel</p> <p>Shaft Seal (Mechanical Seal) Furnished with a double-face mechanical seal located in oil chamber. Both upper and lower seal faces always run in a clean environment.</p> <p>Upper Seal Face: SiC + SiC Lower Seal Face: SiC + SiC</p> <p>Oil Seal (Lip Seal) Used as a “Dust Seal”; it protects the mechanical seal from abrasive particles.</p> <p>OIL LIFTER Equipped in oil chamber. It forcibly supplies lubricating oil to the mechanical seal and continues to supply the oil to the upper seal faces even if lubricant falls below the rated volume.</p> <p>Type of Lubricating Oil & Volume Turbine Oil (ISO VG32), 2300ml</p> <p>Motor Protection Device A circle thermal protector built in the motor housing. Directly cuts the motor circuit if excessive heat builds up or an overcurrent condition occurs in the motor.</p>
50Hz	60Hz								
380V – 23.0A	220V – 40.5A								
400V – 22.5A	380V – 22.5A								
415V – 22.5A	440V – 20.0A								

<p>Optional Accessory</p> <p>Male Threaded Coupling</p>	<p>Special Specifications</p> <p>High Temperature Liquids Version (60-80°C)</p>
---	---

SPECIFICATIONS	Model	KRS815	
		KRS-series	
		15kW, 3-phase	

<p>Type of Pump Submersible high volume drainage pump for construction and foundation works, floodwater drainage, etc.</p> <p>Type of Fluid Stormwater, groundwater, wash water, and sand-carrying water</p> <p>Temperature: 0 to 40°C</p> <p>Discharge Bore & Connection 200mm, Hose Coupling</p> <p>Motor Output 15kW</p> <p>Power Supply Three-phase</p> <p>Starting Method Direct on Line (Star-Delta available on special request)</p> <p>Motor Continuous-duty rated, dry-type induction motor</p> <p>Insulation Class: F Degree of Protection: IP68</p> <p>No. of Poles & Speed (Synchronous Speed) 4-pole, 1500/1800min⁻¹ (50/60Hz)</p> <p>Power Supply Voltages & Rated Currents</p> <table border="0"> <tr> <td>50Hz</td> <td>60Hz</td> </tr> <tr> <td>380V – 32.4A</td> <td>220V – 56.2A</td> </tr> <tr> <td>400V – 31.9A</td> <td>380V – 32.5A</td> </tr> <tr> <td>415V – 31.6A</td> <td>440V – 28.1A</td> </tr> </table> <p>Power Cable Sheath: Chloroprene rubber Standard Length: 8m 380 to 600V supply: 1 x 4 x 8mm², O.D. 21.7mm 200 to 240V supply: 1 x 4 x 14mm², O.D. 25.6mm</p> <p>Dry Weight (excluding cable) 240kg</p>	50Hz	60Hz	380V – 32.4A	220V – 56.2A	400V – 31.9A	380V – 32.5A	415V – 31.6A	440V – 28.1A	<p>Impeller Semi-open impeller made of ductile cast iron</p> <p>Solids Passage 50Hz – ϕ25mm 60Hz – ϕ25mm</p> <p>Cable Entry with Anti-Wicking Block Watertight cable entry with strain-relief device. The anti-wicking block prevents water incursion due to capillary action should the power cable be damaged or the end submerged.</p> <p>Bearing Permanently lubricated, deep-groove, double-shielded C3 ball bearings</p> <p>Shaft 420 stainless steel</p> <p>Shaft Seal (Mechanical Seal) Furnished with a double-face mechanical seal located in oil chamber. Both upper and lower seal faces always run in a clean environment.</p> <p>Upper Seal Face: SiC + SiC Lower Seal Face: SiC + SiC</p> <p>Oil Seal (Lip Seal) Used as a “Dust Seal”; it protects the mechanical seal from abrasive particles.</p> <p>OIL LIFTER Equipped in oil chamber. It forcibly supplies lubricating oil to the mechanical seal and continues to supply the oil to the upper seal faces even if lubricant falls below the rated volume.</p> <p>Type of Lubricating Oil & Volume Turbine Oil (ISO VG32), 3200ml</p> <p>Motor Protection Device A circle thermal protector built in the motor housing. Directly cuts the motor circuit if excessive heat builds up or an overcurrent condition occurs in the motor.</p>
50Hz	60Hz								
380V – 32.4A	220V – 56.2A								
400V – 31.9A	380V – 32.5A								
415V – 31.6A	440V – 28.1A								

Optional Accessories

- Male Threaded Coupling**
Seawater-Resistant Kit
- Galvanic Anodes (with Fittings, Seal Putty)
 - Seawater-Resistant Special Cast Iron Impeller

Special Specifications

High Temperature Liquids Version (60°C)

SPECIFICATIONS	Model	KRS819	KRS-series
			18.5kW, 3-phase

<p>Type of Pump Submersible high volume drainage pump for construction and foundation works, floodwater drainage, etc.</p> <p>Type of Fluid Stormwater, groundwater, wash water, and sand-carrying water</p> <p>Temperature: 0 to 40°C</p> <p>Discharge Bore & Connection 200mm, Hose Coupling</p> <p>Motor Output 18.5kW</p> <p>Power Supply Three-phase</p> <p>Starting Method Direct on Line (Star-Delta available on special request)</p> <p>Motor Continuous-duty rated, dry-type induction motor</p> <p>Insulation Class: F Degree of Protection: IP68</p> <p>No. of Poles & Speed (Synchronous Speed) 4-pole, 1500/1800min⁻¹ (50/60Hz)</p> <p>Power Supply Voltages & Rated Currents</p> <table border="0"> <tr> <td>50Hz</td> <td>60Hz</td> </tr> <tr> <td>380V – 37.0A</td> <td>220V – 69.0A</td> </tr> <tr> <td>400V – 35.5A</td> <td>380V – 40.0A</td> </tr> <tr> <td>415V – 35.0A</td> <td>440V – 34.5A</td> </tr> </table> <p>Power Cable Sheath: Chloroprene rubber Standard Length: 10m 380 to 600V supply: 1 x 4 x 14mm², O.D. 25.6mm 200 to 240V supply: 1 x 4 x 22mm², O.D. 31.6mm</p> <p>Dry Weight (excluding cable) 360kg</p>	50Hz	60Hz	380V – 37.0A	220V – 69.0A	400V – 35.5A	380V – 40.0A	415V – 35.0A	440V – 34.5A	<p>Impeller Semi-open impeller made of ductile cast iron</p> <p>Solids Passage 50Hz – ϕ25mm 60Hz – ϕ25mm</p> <p>Cable Entry with Anti-Wicking Block Watertight cable entry with strain-relief device. The anti-wicking block prevents water incursion due to capillary action should the power cable be damaged or the end submerged.</p> <p>Bearing Permanently lubricated, deep-groove, double-shielded C3 ball bearings</p> <p>Shaft 420 stainless steel</p> <p>Shaft Seal (Mechanical Seal) Furnished with a double-face mechanical seal located in oil chamber. Both upper and lower seal faces always run in a clean environment.</p> <p>Upper Seal Face: SiC + SiC Lower Seal Face: SiC + SiC</p> <p>Oil Seal (Lip Seal) Used two as a “Dust Seal”, it protects the mechanical seal from abrasive particles.</p> <p>OIL LIFTER Equipped in oil chamber. It forcibly supplies lubricating oil to the mechanical seal and continues to supply the oil to the upper seal faces even if lubricant falls below the rated volume.</p> <p>Type of Lubricating Oil & Volume Turbine Oil (ISO VG32), 6500ml</p> <p>Motor Protection Device A circle thermal protector built in the motor housing. Directly cuts the motor circuit if excessive heat builds up or an overcurrent condition occurs in the motor.</p>
50Hz	60Hz								
380V – 37.0A	220V – 69.0A								
400V – 35.5A	380V – 40.0A								
415V – 35.0A	440V – 34.5A								

<p>Optional Accessory</p> <p>Male Threaded Coupling</p>	<p>Special Specifications</p> <p>High Temperature Liquids Version (60°C)</p>
---	--

SPECIFICATIONS	Model	KRS822	KRS-series
			22kW, 3-phase

<p>Type of Pump Submersible high volume drainage pump for construction and foundation works, floodwater drainage, etc.</p> <p>Type of Fluid Stormwater, groundwater, wash water, and sand-carrying water</p> <p>Temperature: 0 to 40°C</p> <p>Discharge Bore & Connection 200mm, Hose Coupling</p> <p>Motor Output 22kW</p> <p>Power Supply Three-phase</p> <p>Starting Method Direct on Line (Star-Delta available on special request)</p> <p>Motor Continuous-duty rated, dry-type induction motor</p> <p>Insulation Class: F Degree of Protection: IP68</p> <p>No. of Poles & Speed (Synchronous Speed) 4-pole, 1500/1800min⁻¹ (50/60Hz)</p> <p>Power Supply Voltages & Rated Currents</p> <table border="0"> <tr> <td>50Hz</td> <td>60Hz</td> </tr> <tr> <td>380V – 46.8A</td> <td>220V – 80.3A</td> </tr> <tr> <td>400V – 44.6A</td> <td>380V – 46.8A</td> </tr> <tr> <td>415V – 44.0A</td> <td>440V – 40.2A</td> </tr> </table> <p>Power Cable Sheath: Chloroprene rubber Standard Length: 10m 380 to 600V supply: 1 x 4 x 14mm², O.D. 25.6mm 200 to 240V supply: 1 x 4 x 22mm², O.D. 31.6mm</p> <p>Dry Weight (excluding cable) 380kg</p>	50Hz	60Hz	380V – 46.8A	220V – 80.3A	400V – 44.6A	380V – 46.8A	415V – 44.0A	440V – 40.2A	<p>Impeller Semi-open impeller made of ductile cast iron</p> <p>Solids Passage 50Hz – ϕ25mm 60Hz – ϕ25mm</p> <p>Cable Entry with Anti-Wicking Block Watertight cable entry with strain-relief device. The anti-wicking block prevents water incursion due to capillary action should the power cable be damaged or the end submerged.</p> <p>Bearing Permanently lubricated, deep-groove, double-shielded C3 ball bearings</p> <p>Shaft 420 stainless steel</p> <p>Shaft Seal (Mechanical Seal) Furnished with a double-face mechanical seal located in oil chamber. Both upper and lower seal faces always run in a clean environment.</p> <p>Upper Seal Face: SiC + SiC Lower Seal Face: SiC + SiC</p> <p>Oil Seal (Lip Seal) Used two as a “Dust Seal”, it protects the mechanical seal from abrasive particles.</p> <p>OIL LIFTER Equipped in oil chamber. It forcibly supplies lubricating oil to the mechanical seal and continues to supply the oil to the upper seal faces even if lubricant falls below the rated volume.</p> <p>Type of Lubricating Oil & Volume Turbine Oil (ISO VG32), 6500ml</p> <p>Motor Protection Device A circle thermal protector built in the motor housing. Directly cuts the motor circuit if excessive heat builds up or an overcurrent condition occurs in the motor.</p>
50Hz	60Hz								
380V – 46.8A	220V – 80.3A								
400V – 44.6A	380V – 46.8A								
415V – 44.0A	440V – 40.2A								

Optional Accessories

- Male Threaded Coupling**
Seawater-Resistant Kit
- Galvanic Anodes (with Fittings, Seal Putty)
 - Seawater-Resistant Special Cast Iron Impeller

Special Specifications

High Temperature Liquids Version (60°C)

SPECIFICATIONS	Model	KRS822L	
		KRS-series 22kW, 3-phase	

<p>Type of Pump Submersible high volume drainage pump for construction and foundation works, floodwater drainage, etc.</p> <p>Type of Fluid Stormwater, groundwater, wash water, and sand-carrying water</p> <p>Temperature: 0 to 40°C</p> <p>Discharge Bore & Connection 200mm, Hose Coupling</p> <p>Motor Output 22kW</p> <p>Power Supply Three-phase</p> <p>Starting Method Direct on Line (Star-Delta available on special request)</p> <p>Motor Continuous-duty rated, dry-type induction motor</p> <p>Insulation Class: F Degree of Protection: IP68</p> <p>No. of Poles & Speed (Synchronous Speed) 4-pole, 1500/1800min⁻¹ (50/60Hz)</p> <p>Power Supply Voltages & Rated Currents</p> <table border="0"> <tr> <td>50Hz</td> <td>60Hz</td> </tr> <tr> <td>380V – 46.8A</td> <td>220V – 80.3A</td> </tr> <tr> <td>400V – 44.6A</td> <td>380V – 46.8A</td> </tr> <tr> <td>415V – 44.0A</td> <td>440V – 40.2A</td> </tr> </table> <p>Power Cable Sheath: Chloroprene rubber Standard Length: 10m 380 to 600V supply: 1 x 4 x 14mm², O.D. 25.6mm 200 to 240V supply: 1 x 4 x 22mm², O.D. 31.6mm</p> <p>Dry Weight (excluding cable) 380kg</p>	50Hz	60Hz	380V – 46.8A	220V – 80.3A	400V – 44.6A	380V – 46.8A	415V – 44.0A	440V – 40.2A	<p>Impeller Semi-open impeller made of ductile cast iron</p> <p>Solids Passage 50Hz – φ25mm 60Hz – φ25mm</p> <p>Cable Entry with Anti-Wicking Block Watertight cable entry with strain-relief device. The anti-wicking block prevents water incursion due to capillary action should the power cable be damaged or the end submerged.</p> <p>Bearing Permanently lubricated, deep-groove, double-shielded C3 ball bearings</p> <p>Shaft 420 stainless steel</p> <p>Shaft Seal (Mechanical Seal) Furnished with a double-face mechanical seal located in oil chamber. Both upper and lower seal faces always run in a clean environment.</p> <p>Upper Seal Face: SiC + SiC Lower Seal Face: SiC + SiC</p> <p>Oil Seal (Lip Seal) Used two as a “Dust Seal”, it protects the mechanical seal from abrasive particles.</p> <p>OIL LIFTER Equipped in oil chamber. It forcibly supplies lubricating oil to the mechanical seal and continues to supply the oil to the upper seal faces even if lubricant falls below the rated volume.</p> <p>Type of Lubricating Oil & Volume Turbine Oil (ISO VG32), 6500ml</p> <p>Motor Protection Device A circle thermal protector built in the motor housing. Directly cuts the motor circuit if excessive heat builds up or an overcurrent condition occurs in the motor.</p>
50Hz	60Hz								
380V – 46.8A	220V – 80.3A								
400V – 44.6A	380V – 46.8A								
415V – 44.0A	440V – 40.2A								

<p>Optional Accessory</p> <p>Male Threaded Coupling</p>	<p>Special Specifications</p> <p>High Temperature Liquids Version (60°C)</p>
---	--

SPECIFICATIONS	Model	KRS1022	
		KRS-series 22kW, 3-phase	

<p>Type of Pump Submersible high volume drainage pump for construction and foundation works, floodwater drainage, etc.</p> <p>Type of Fluid Stormwater, groundwater, wash water, and sand-carrying water</p> <p>Temperature: 0 to 40°C</p> <p>Discharge Bore & Connection 250mm, Hose Coupling</p> <p>Motor Output 22kW</p> <p>Power Supply Three-phase</p> <p>Starting Method Direct on Line (Star-Delta available on special request)</p> <p>Motor Continuous-duty rated, dry-type induction motor</p> <p>Insulation Class: F Degree of Protection: IP68</p> <p>No. of Poles & Speed (Synchronous Speed) 4-pole, 1500/1800min⁻¹ (50/60Hz)</p> <p>Power Supply Voltages & Rated Currents</p> <table border="0"> <tr> <td>50Hz</td> <td>60Hz</td> </tr> <tr> <td>380V – 47.3A</td> <td>220V – 80.3A</td> </tr> <tr> <td>400V – 45.7A</td> <td>380V – 47.3A</td> </tr> <tr> <td>415V – 45.1A</td> <td>440V – 40.7A</td> </tr> </table> <p>Power Cable Sheath: Chloroprene rubber Standard Length: 10m 200 to 600V supply: 1 x 4 x 22mm², O.D. 31.6mm</p> <p>Dry Weight (excluding cable) 390kg</p>	50Hz	60Hz	380V – 47.3A	220V – 80.3A	400V – 45.7A	380V – 47.3A	415V – 45.1A	440V – 40.7A	<p>Impeller Closed impeller made of ductile cast iron</p> <p>Solids Passage 50Hz – φ25mm 60Hz – φ25mm</p> <p>Cable Entry with Anti-Wicking Block Watertight cable entry with strain-relief device. The anti-wicking block prevents water incursion due to capillary action should the power cable be damaged or the end submerged.</p> <p>Bearing Permanently lubricated, deep-groove, double-shielded C3 ball bearings</p> <p>Shaft 420 stainless steel</p> <p>Shaft Seal (Mechanical Seal) Furnished with a double-face mechanical seal located in oil chamber. Both upper and lower seal faces always run in a clean environment.</p> <p>Upper Seal Face: SiC + SiC Lower Seal Face: SiC + SiC</p> <p>Oil Seal (Lip Seal) Used two as a “Dust Seal”, it protects the mechanical seal from abrasive particles.</p> <p>OIL LIFTER Equipped in oil chamber. It forcibly supplies lubricating oil to the mechanical seal and continues to supply the oil to the upper seal faces even if lubricant falls below the rated volume.</p> <p>Type of Lubricating Oil & Volume Turbine Oil (ISO VG32), 4000ml</p> <p>Motor Protection Device A circle thermal protector built in the motor housing. Directly cuts the motor circuit if excessive heat builds up or an overcurrent condition occurs in the motor.</p>
50Hz	60Hz								
380V – 47.3A	220V – 80.3A								
400V – 45.7A	380V – 47.3A								
415V – 45.1A	440V – 40.7A								

<p>Optional Accessory</p> <p>Male Threaded Coupling</p>	<p>Special Specifications</p> <p>High Temperature Liquids Version (60°C)</p>
---	--

DIMENSIONS

Model

KRS32.2 to KRS1022

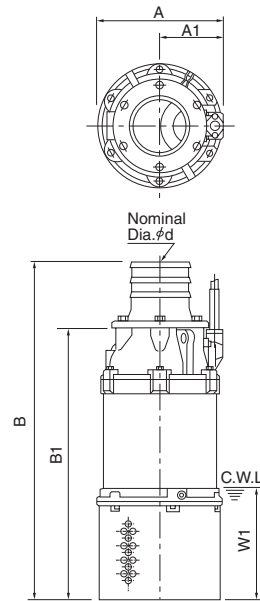
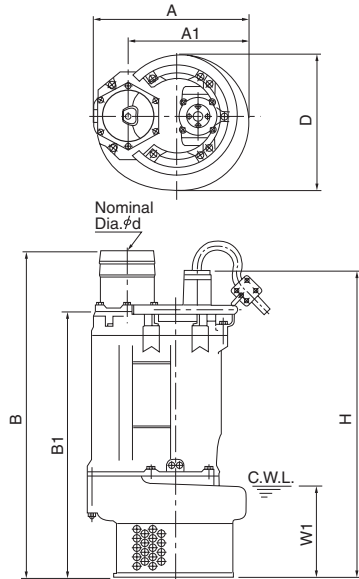
KRS-series

80 - 250mm

C. W. L. : Continuous Running Water Level

80-200mm model

KRS1022



Unit: mm

Model	d	A	A1	B	B1	D	H	W1
KRS32.2	80	340	253	622	499	311	599	145
KRS33.7(50Hz)	80	362	272	707	584	346	684	155
KRS33.7(60Hz)	80	349	259	707	584	320	684	155
KRS43.7	100	349	259	722	584	320	684	155
KRS45.5(50Hz)	100	364	272	747	609	346	709	155
KRS45.5(60Hz)	100	351	259	747	609	323	709	155
KRS67.5	150	418	305	866	683	379	798	175
KRS611(50Hz)	150	436	323	875	692	407	827	180
KRS611(60Hz)	150	418	305	873	690	379	825	175
KRS811	200	473	355	993	761	409	896	300
KRS815	200	481	347	1069	837	440	949	275
KRS819	200	576	445	1241	1010	530	1200	345
KRS822	200	576	445	1241	1010	530	1200	345
KRS822L	200	576	445	1241	1010	530	1200	345
KRS1022	250	525	250	1419	1136	—	—	450